

CENTRALIZERS



7" Centralizers



5.5" Centralizers



Application:

Franklin Electric offers a versatile collection of centralizers designed for both 5.5" and 7" well casings. A wide range of model options allows you to custom fit your centralizers to your specific well casing, pipe size, motor lead, and downhole sensor needs.

Features:

- Hinged clamp design and wedge pin make installation easy
- Protects power and sensor cables
- Improves and eases deployment of downhole systems for faster installation times
- Additional tube adapter options provide further installation customization for 7" centralizers



7" Centralizer
Tube Adapters



Centralizers Model Availability

Order Number	Pipe Size In (mm)	Casing Size In (mm)	Box Qty	Box Dimensions (L x W x D)		Box Weight		Configuration*
				In	mm	Lbs	kg	
305569901	2.38 (60.3)	5.5 (139.7)	10	16.34 x 10.83 x 8.39	530 x 220 x 185	32.3	14.1	A
305569902	1.90 (48.3)	5.5 (139.7)	10	16.34 x 10.83 x 8.39	530 x 220 x 185	35.1	15.4	A
305569903	1.31 (33.4)	5.5 (139.7)	10	16.34 x 10.83 x 8.39	530 x 220 x 185	38.0	16.7	A
305569904	1.00 (25.4)	5.5 (139.7)	10	16.34 x 10.83 x 8.39	530 x 220 x 185	38.8	17.1	A
305569905	2.38 (60.3)	7 (177.8)	10	20.87 x 8.66 x 7.28	415 x 275 x 213	50.5	22.4	B, D
305569906	2.38 (60.3)	7 (177.8)	10	20.87 x 8.66 x 7.28	415 x 275 x 213	45.1	19.9	B, C
305569907	2.38 (60.3)	7 (177.8)	10	20.87 x 8.66 x 7.28	415 x 275 x 213	47.8	21.2	C, D
305569908	2.38 (60.3)	7 (177.8)	10	20.87 x 8.66 x 7.28	415 x 275 x 213	46.5	20.6	D, D

* Configuration details:

A: 20mm x 53mm cable slot, two each, 12mm diameter slots

B: 14mm x 45mm rectangular slot

C: 31mm diameter slot

D: 19mm diameter slot, two each, 11mm diameter slots

Tube Adapters Model Availability

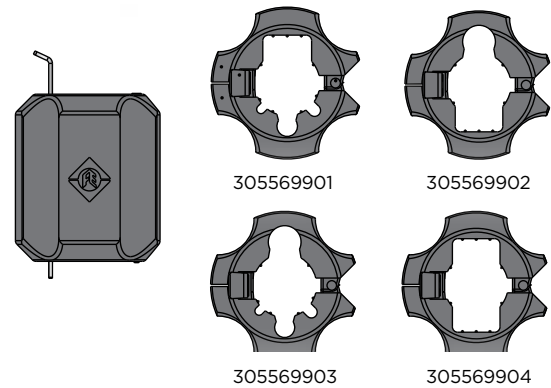
For 7" centralizers.

Order Number	Pipe Size In (mm)	Box Qty	Box Dimensions (L x W x D)		Box Weight	
			In	mm	Lbs	kg
305569909	1.90 (48.3)	40	25.59 x 10.24 x 7.87	650 x 260 x 200	45.4	19.9
305569910	1.66 (42.2)	40	25.59 x 10.24 x 7.87	650 x 260 x 200	35.2	15.3
305569911	1.31 (33.4)	40	25.59 x 10.24 x 7.87	650 x 260 x 200	26.7	11.4

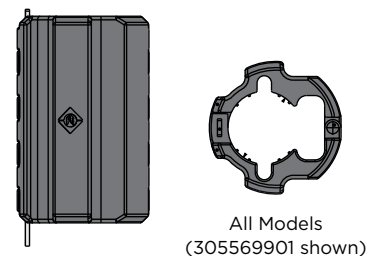
Materials of Construction

Component	Material
Outer Shell	Synthetic diene rubber
Reinforcement	Steel cage
Hinge Pin	Zinc coated steel
Wedge Pin	Zinc coated steel

7" Centralizers



5.5" Centralizers



Franklin Electric

9255 Coverdale Road, Fort Wayne, IN 46809 • Tel: 260.824.2900 Fax: 260.824.2909 • www.franklin-energy.com

AL-0010 11-13